
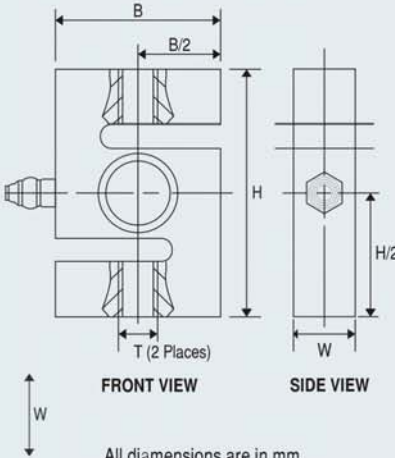


Specification	MODEL <b>051976</b>
<p><b>Appearance</b></p>	
<p><b>Dimensions</b></p>	<div data-bbox="580 754 927 919" style="border: 1px solid black; padding: 5px; margin-bottom: 10px;"> <p>H - 76 mm            B - 50.75 mm            T - M12 x 1.75 mm            W - 19 mm (100, 200, 300 kg)            W - 28 mm (500 kg)</p> </div>  <p style="text-align: center;">All dimensions are in mm</p>
Rated Capacity	100, 200, 300, 500 kg
Rated Output	2 mV/V ± 10% / 3 mV/V ± 10%
Temperature effect on Output	0.002% F.S/°C
Temperature effect on Zero Balance	0.002% F.S/°C
Creep Error (30 min.)	< 0.03%
Zero Balance	± 0.02 mV/V
Input Impedance	395 ± 15Ω
Output Impedance	350 ± 5Ω
Insulation Impedance (DC 50 V)	>5000MΩ
Safe Over load	150% F.S.
Ultimate Overload	250% F.S.
Operating Temperature	-10~60°C
Recommended Excitation	5 ~ 12 V DC
Construction	Steel Alloy
Cable	Φ5mm x 200 cm
Maximum Platform Size	