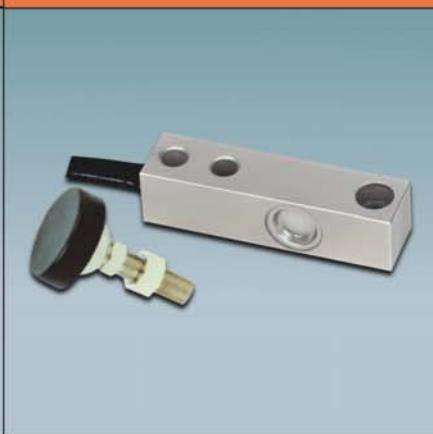


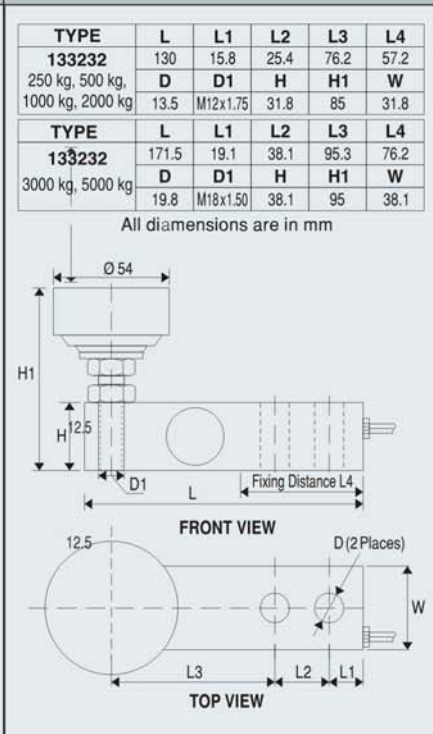
MODEL
Specification

133232

Appearance



Dimensions



Rated Capacity	250, 500, 1000, 2000, 3000, 5000 kg
Rated Output	2 or 3 mV/V \pm 10%
Temperature effect on Output	0.002% F.S/ $^{\circ}$ C
Temperature effect on Zero Balance	0.002% F.S/ $^{\circ}$ C
Creep Error (30 min.)	< 0.03%
Zero Balance	\pm 0.02 mV/V
Input Impedance	395 \pm 15 Ω
Output Impedance	350 \pm 5 Ω
Insulation Impedance (DC 50 V)	\geq 5000M Ω
Safe Over load	150% F.S.
Ultimate Overload	250% F.S.
Operating Temperature	-10~60 $^{\circ}$ C
Recommended Excitation	5 ~12 V DC
Construction	Steel Alloy
Cable	Φ 5mm x 300 cm
Maximum Platform Size	